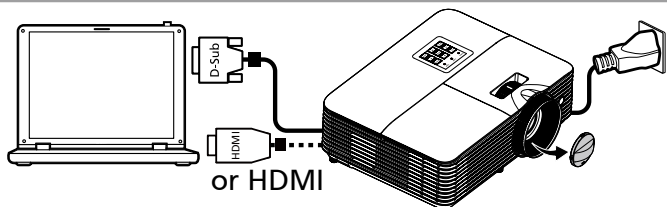
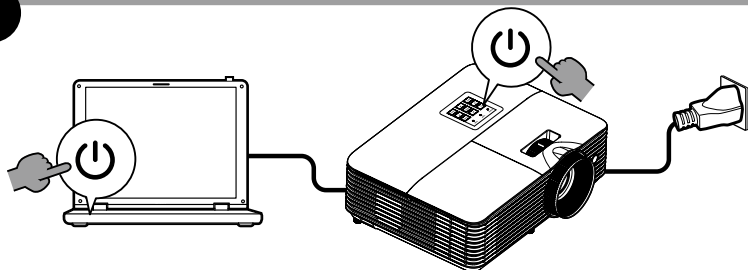


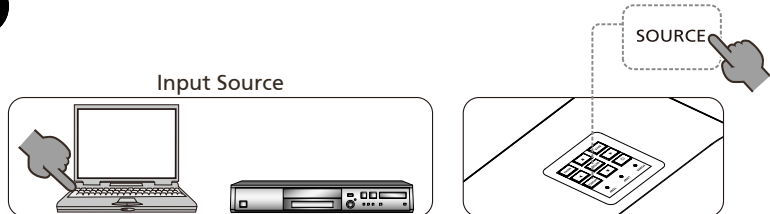
1



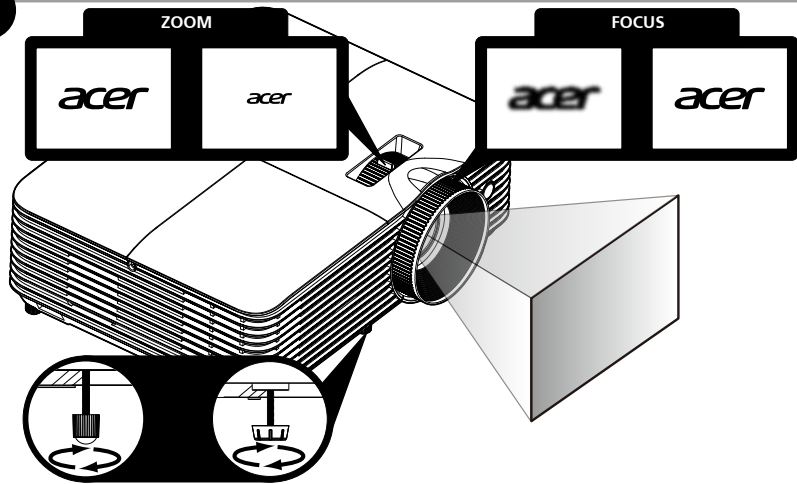
2



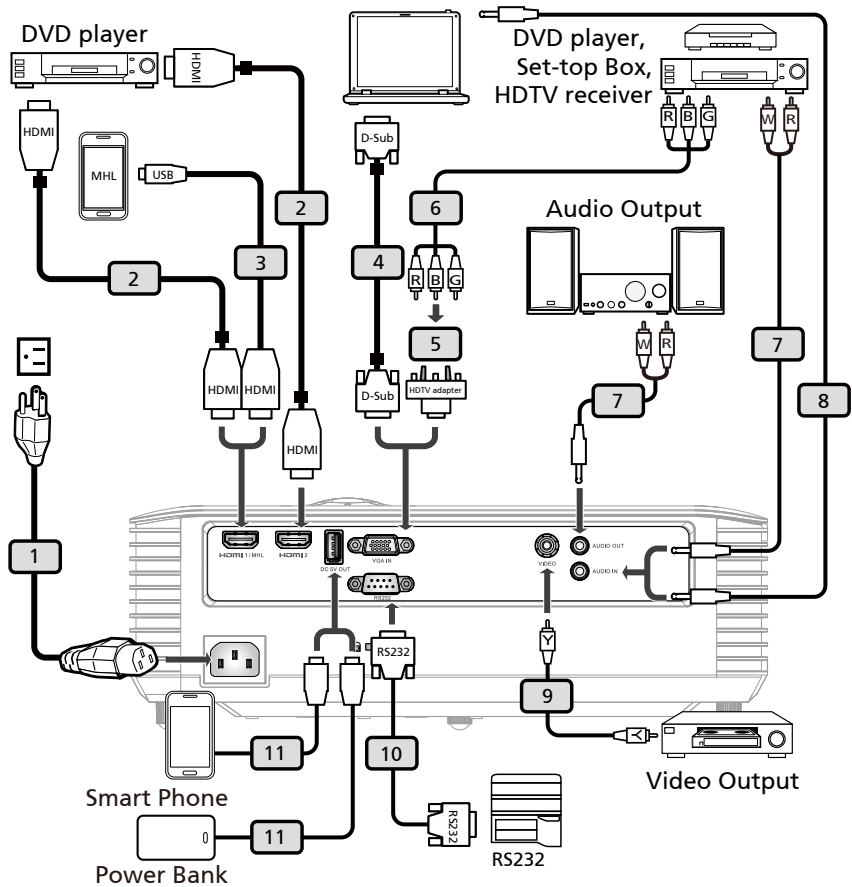
3



4



INSTALLATION



Note: Functions vary depending on model definition.

X138WH/X128H/X128/X118H/X118AH/X118/D626D/D616D/
 D616/D606D/D606B/D606/EV-W65H/EV-X65H/EV-X65/
 EV-S65H/EV-S65A/EV-S65V36W/V36X/V36X/CV36S/V36SB/
 V36SC/V16S/AW319/AX319/AX319D/AS319/AS319E/AS319D/
 AS309/DX412/DX212/DX212G/DX112/DX112C/DX112G/
 BS-312/BS-112/BS-112E/BS-012/BS-012K/BS-012E/KW316/
 KX316/KX316B/KS316/KS316A/KS316B/X1286G/X1186G/
 DWX1722/DNX1723/DNX1724/DSV1725/DSV1726/DSV1727

Consumo de Energia

En Operation: 244.46 Wh (244,46Wh)

En modo de espera: 0.41 Wh (0,41 Wh)

H6540BD/H6521BD/X1623HX168H/E156D/E155F/D860D/
 D666D/HE-806J/HE-802K/EV-WU80H/EV-WU65H/GM532/
 GM512/V50U/V36U/VH-432/VH-412/AU540/AU319/DX620/
 DX612/BS-520/BS-512/KU330/KU316/D1P1719/D1P1720/
 DWU1729/DWU1721

Consumo de Energia

En Operation: 310.56 Wh (310,56Wh)

En modo de espera: 0.43 Wh (0,43 Wh)

HDMI[®]
 HIGH-DEFINITION MULTIMEDIA INTERFACE



UA.TR.060



Scan to get user's manual



Recyclable Paper



36.7AR02H002-B
 P/N:MC.JPV11.007

