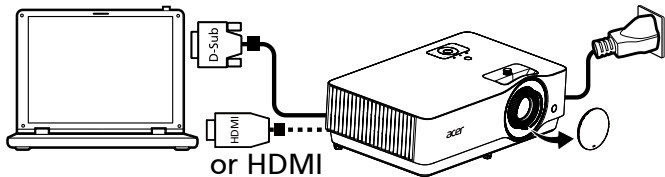
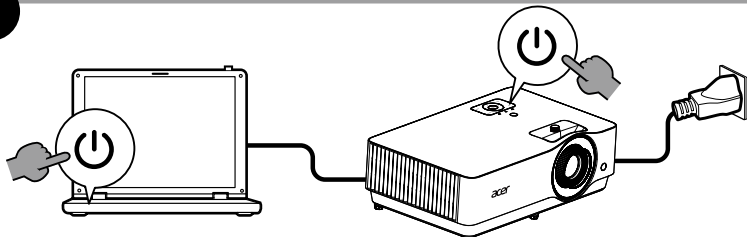


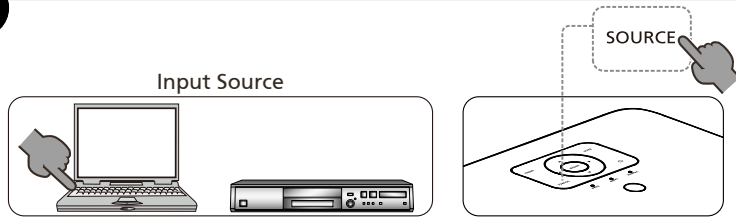
1



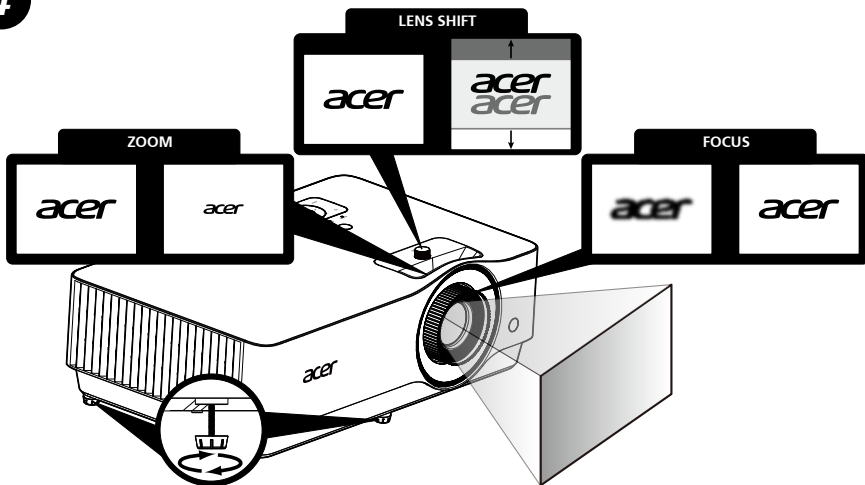
2



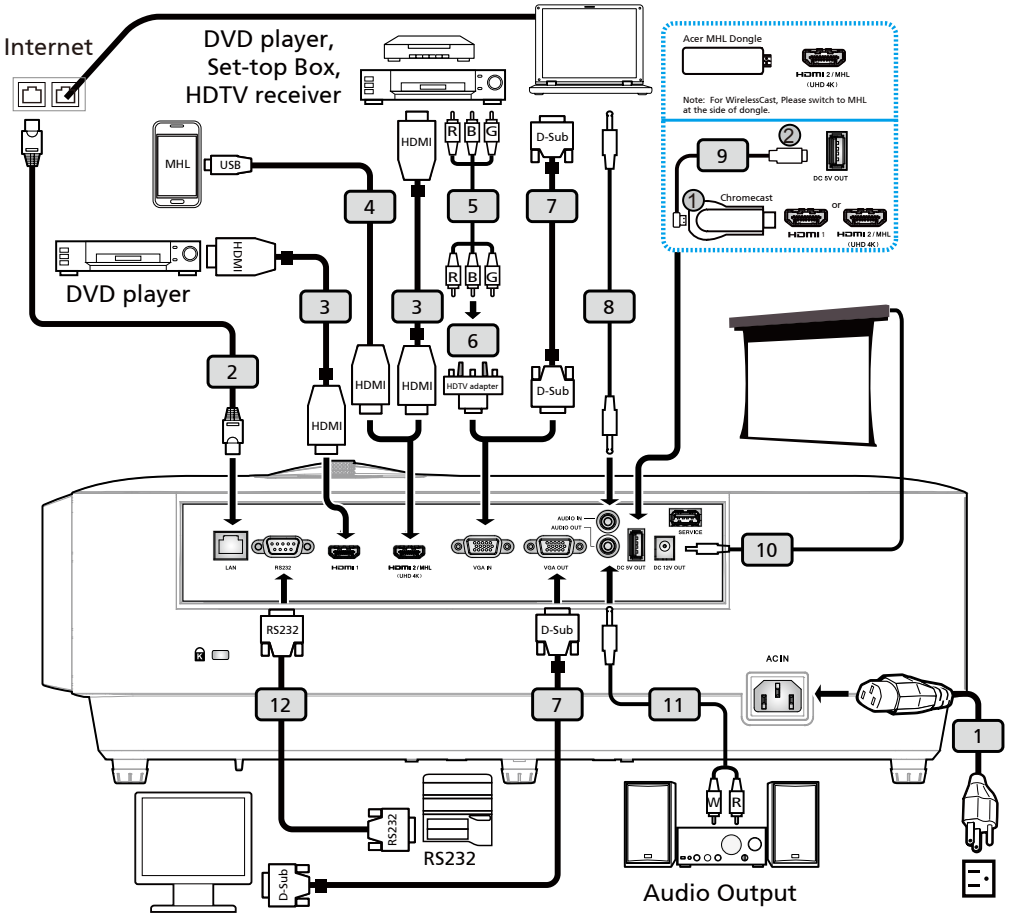
3



4



INSTALLATION



Note: Functions vary depending on model definition.

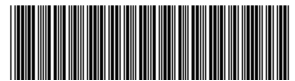


Scan to get user's manual

HDMI[®]
HIGH-DEFINITION MULTIMEDIA INTERFACE

EAC

UA.TR.060



36.7B802H001-A
P/N:MC.JPX11.004

SPECIFICATIONS

| | |
|-----------------------------------|---|
| Projection system | DLP® 4K UHD |
| Resolution | Native 3840x2160 resolution |
| | • Maximum: UXGA (1600 x 1200), WSXGA+ (1680x1050), 1080p(1920x1080), WUXGA-RB (1920 x 1200), UHD(3840x2160),4K(4120x2160) |
| Computer compatibility | IBM PC and compatibles, Apple Macintosh, iMac and VESA standards: SXGA, XGA, VGA, SVGA, SXGA+, WXGA, WXGA+, WSXGA + |
| Video compatibility | HDTV (720p, 1080i, 1080p), EDTV (480p, 576p), SDTV (480i, 576i), 2160p |
| Aspect ratio | Auto, Full, 4:3, 16:9, L.Box, Anamorphic 2.35:1 |
| Displayable colors | 1.07 billion colors |
| Optical zoom ratio | 1.6X |
| Throw ratio | 1.39 ~ 2.22:1 (65" @2m) |
| Projection lens | F = 2.50 ~ 3.26, f = 20.91mm ~ 32.62mm, Manual Zoom & Focus |
| Projection screen size (diagonal) | 20" (52cm) ~ 300" (762cm) |
| Projection distance | 1.0m ~ 9.2m (3.3' ~ 30.3') |
| Horizontal scan rate | 15 - 135 kHz |
| Vertical refresh scan rate | 24 - 120 Hz |
| Audio | Internal speaker with 5W x 2 output |
| Weight | 8.0 Kgs (17.6 lbs) |
| Dimensions (W x D x H) | 457.5 mm X 289mm X 157 mm (18.0" x 11.4" x 6.2") |
| Digital zoom | 1.25x |
| Power supply | AC input 100 - 240 V auto-switching power supply |
| Power consumption | Normal mode: 405W ± 10% @ 110VAC ECO mode: 310W ± 10% @ 110VAC Standby mode < 0.5W |
| Operating temperature | 0°C to 40°C / 32°F to 104°F |

| | | |
|---------------------------|---|--|
| Standard package contents | <ul style="list-style-type: none"> • AC power cord x1 • HDMI cable x1 • Remote control x1 • AAA battery x2 (for remote control) (option) • User's guide (CD-ROM) x1 • Quick start guide x1 • Carrying case x1 (option) | |
| I/O connectors | <ul style="list-style-type: none"> • Power socket x1 • VGA IN x1 • HDMI x1 • HDMI2/MHL x1 • RJ45 LAN input x1 • VGA output x1 | <ul style="list-style-type: none"> • RS232 x1 • 3.5 mm audio jack input x1 • 3.5 mm audio jack output x1 • 5V DC output x1 • 12V DC output x1 • Service connector x1 |

Note:

- The specifications listed above are subject to change without notice.
- Find manuals and other documents for your Acer product on the official Acer support website.

Consumo de Energia

| |
|--|
| En Operation: 412.74 Wh (412,74Wh) |
| En modo de espera: 0.2246 Wh (0,2246 Wh) |